



BT8371-2X2

UNIVERSAL MOBILE VIDEO WALL STAND FOR 2x2 VIDEO WALLS INSTALLATION GUIDE & PARTS LIST

SYSTEM **X**

This Pack Contains 1 Mobile Stand

PLEASE KEEP THIS FOR FUTURE REFERENCE



FEATURES

- Designed to mount 4 screens in a 2x2 video wall formation
- Universal design suitable for all video wall screens from 46" - 60" (117cm - 152cm)
- Max weight per screen: 50kg
- Designed for screens with VESA & non-VESA mounting patterns: 200 x 200 up to 600 x 400mm
- Suitable for landscape or portrait screen mounting
- Tool-less micro-adjustments at 8 points for seamless screen alignment
- Includes non-marking 4" locking/braked castors and alternative levelling feet
- Stand Dimensions:
W. 2005mm **D.** 950mm **H.** 1993mm up to 2189mm
- Collar compatible accessories such as shelves can be fitted directly to the extrusion
- Integrated cable management
- All mounting hardware included



PER SCREEN

CONTENTS

Installation Safety Notes.....	2
Parts List.....	6
Installation Instructions.....	8
Optional Accessories.....	18
Product Dimensions.....	19
B-Tech Contact Details.....	20

INSTALLATION TOOLS REQUIRED

Flathead & crosshead
screwdriver



Level



Knife



B-TECH AUDIO VIDEO MOUNTS

www.btechavmounts.com

INSTALLATION SAFETY INSTRUCTIONS



CAUTION: This stand/trolley is intended for use only with the maximum weights indicated. Use with flat screens heavier than the maximum indicated may result in instability causing possible injury.

Do not attempt to install this product until all instructions and warnings have been read and properly understood. Please keep these instructions for future reference. Please check carefully to make sure there are no missing or defective parts - defective parts must never be used. B-Tech International Limited, its distributors and dealers are not liable or responsible for damage or injury caused by improper installation, improper use or failure to observe these safety instructions. In such cases, all guarantees will expire.

General

Great care must always be taken during installation as most AV equipment is of a fragile nature, possibly heavy and easily damaged if dropped.

If you do not fully understand the instructions or are not sure how to install this product safely, then please consult a professional for advice and/or to install this product for you. Failure to mount this product correctly may cause serious injury or death both during installation and at any time thereafter. Do not mount any AV equipment that exceeds the specific weight limit of the product you are installing. This weight limit will be clearly stated on each product and its packaging and will vary from product to product.

Product location

Please pay careful attention to where this product is located. Some locations are not suitable for installation.

If located in a public or frequently populated area ensure that the product is out of the immediate reach of people.

Fixing hardware

It is highly recommended that all fixing screws be used where supplied and that the purpose of all other fixing hardware is fully understood. In some cases more AV equipment fixing hardware will be supplied to accommodate different models of equipment and set up configurations.

The installer must be satisfied that any supplied fixing hardware is suitable for each specific installation. If any fixing screws or included hardware are deemed not sufficient for a safe installation then please consult a professional or your local hardware store.

Hazard limitation

When routing cables take advantage of any built in cable management features that the product might provide and ensure that all cables are tidy and secure. Check to see that any moving aspect of the product can do so unhindered by any cabling.

Some products have moving parts and the potential to cause injury through the crushing or trapping of fingers or other body parts.

Particular attention to the nature of moving parts is required especially when assembling installing and adjusting during set up.

Immediately after installations double-check that the work done is safe and secure. Double-check all necessary fixings are present and are of ample tightness.

It is recommended that periodic inspections of the product and its fixing points are made as frequently as possible to ensure that safety is maintained. If in doubt consult a professional AV installer or other suitably qualified person.

CS

Společnost B-Tech International Ltd. doporučuje provést instalaci tohoto produktu prostřednictvím odborného instalátora AV či jinak způsobilé osoby. Společnost B-Tech International Ltd, její distributoři a prodejci nenesou odpovědnost za škody nebo zranění způsobená nevhodnou instalací. Tento výrobek je nutno umístit do vhodné konstrukce a používat jen po uvedené maximální výšce.

DE

B-Tech International Ltd. empfiehlt, dass dieses Produkt durch einen qualifizierten AV-Techniker oder eine andere Person mit geeigneter Qualifikation installiert wird. B-Tech International Ltd, ihre Distributoren und Händler können nicht für durch fehlerhafte Montage verursachte Beschädigung oder Verletzung haftbar bzw. verantwortlich gemacht werden. Dieses Produkt muss auf eine geeignetem Untergrund montiert werden und darf nur bis zum angegebenen Höchstgewicht verwendet werden.

ES

B-Tech International Ltd. recomienda que un instalador de audio y video profesional u otra persona debidamente cualificada instalen este producto. B-Tech International Ltd, sus distribuidores y concesionarios no se hacen cargo ni se responsabilizan de ningún daño o lesión provocados por una instalación inapropiada. Este producto se debe montar en una estructura adecuada y se debe utilizar soportando solamente hasta el peso máximo indicado.

FR

B-Tech International Ltd. recommande de confier l'installation de ce produit à un installateur AV professionnel ou à une autre personne dûment qualifiée. B-Tech International Ltd, ses distributeurs et ses revendeurs ne sauraient être tenus responsables de tout dégât ou de toute blessure résultant d'une installation incorrecte. Ce produit doit être monté sur un support approprié et utilisé dans la limite du poids maximum indiqué.

IT

B-Tech International Ltd. consiglia di affidare l'installazione di questo prodotto a un installatore specializzato o ad altra persona adeguatamente qualificata. B-Tech International Ltd, i suoi distributori e rivenditori non accettano alcuna responsabilità nei riguardi di eventuali danni o infortuni causati da un'errata installazione. Questo prodotto deve essere fissato a una struttura idonea e utilizzato unicamente sino al peso massimo indicato.

NL

B-Tech International Ltd. adviseert om dit product te laten installeren door een professionele AV-installateur of andere hiervoor gekwalificeerde persoon. B-Tech International Ltd, haar distributeurs en dealers zijn niet aansprakelijk of verantwoordelijk voor schade of letsel die is veroorzaakt door onoordeelkundige installatie. Dit product moet worden gemonteerd aan een geschikte constructie, waarbij het aangegeven maximum gewicht niet mag worden overschreden.

PL

Firma B-Tech International Ltd. zaleca, aby ten produkt był instalowany przez profesjonalnych instalatorów AV lub inny odpowiednio przeszkolony personel. Firma B-Tech International Ltd, jej dystrybutorzy i dealerzy nie ponoszą odpowiedzialności za uszkodzenia lub obrażenia ciała powstałe w wyniku nieprawidłowej instalacji. Niniejszy produkt musi być zamontowany na odpowiedniej powierzchni, a podczas użytkowania nie wolno przekraczać podanego maksymalnego obciążenia.

PT

A B-Tech International Ltd. recomenda que a instalação deste produto seja efectuada por um instalador de AV profissional ou outra pessoa devidamente habilitada. A B-Tech International Ltd. e os seus distribuidores e concessionários não são responsáveis por danos ou lesões causados por uma instalação incorrecta. Este produto tem de ser montado numa estrutura adequada e utilizado somente até ao peso máximo indicado.

RU

Компания B-Tech International Ltd. рекомендует, чтобы установка данного изделия производилась инженером по установке аудио-видеотехники или другим специалистом с соответствующей квалификацией. Компания B-Tech International Ltd., ее дистрибьюторы и дилеры не несут ответственности за повреждения или травмы, полученные в результате неправильной установки. Данное изделие должно

توصي بي-تيك للتجارة الدولية المحدودة بأن شخص محترف في تركيب ال AV او شخص مؤهل تأهيلا مناسباً لتركيب هذا المنتج. بي-تيك للتجارة الدولية، موزعيها والتجار ليست عرضة أو مسؤولة عن الأضرار أو الإصابات الناجمة عن تركيب غير سليم، والاستخدام غير السليم أو عدم مراعاة هذه التعليمات للسلامة. يجب أن يتم تركيب هذا المنتج في بنية مناسبة ويجب استخدام فقط لدعم الحد الأقصى للوزن المشار إليه.

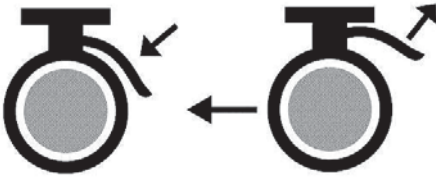


WARNING

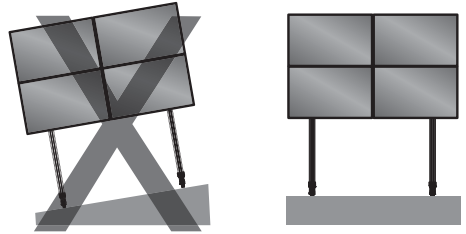


**CAN TIP OVER WHICH MAY LEAD TO
SERIOUS INJURY.
DO NOT ALLOW CHILDREN UNDER 16
TO MOVE TROLLEY.
MOVE TROLLEY SLOWLY**

**ALWAYS APPLY BRAKES WHEN
TROLLEY IS STATIONARY
RELEASE BRAKES WHEN PUSHING
TROLLEY.**



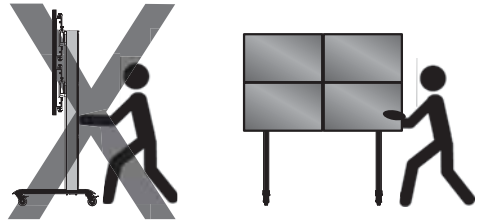
**NEVER LEAVE TROLLEY ON
AN INCLINE.
ALWAYS PARK ON LEVEL GROUND**



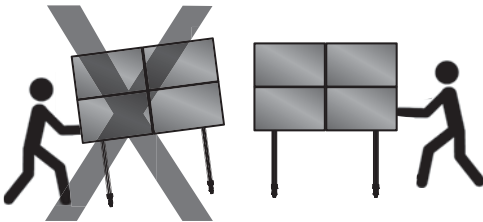
**ONLY ADULTS SHOULD PUSH
THIS TROLLEY**



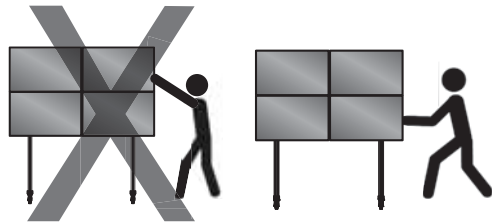
**PUSH TROLLEY ON
NARROW SIDE**



**NEVER PULL TROLLEY.
ALWAYS PUSH**

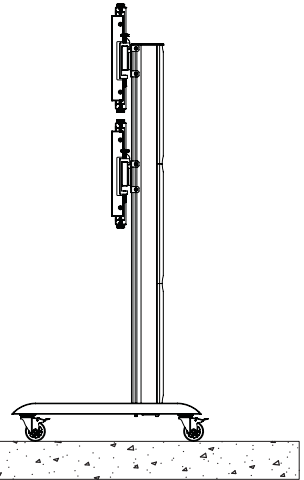


**DO NOT PUSH AT TOP OF TROLLEY.
ALWAYS PUSH NEAR MIDDLE**



INSTALLATION NOTES

- Min. Two person assembly
- Approx. minimum floor space required for assembly: 4m²
- Floor fixing kit available BT8380-FBK - see page 18



FLOORSTAND STABILITY

 **!!! WARNING - DANGER !!!** 

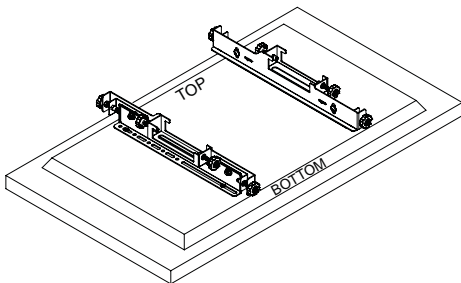
- Install mobile stand on level ground

When verifying the stability of the structure, consider the following external factors:

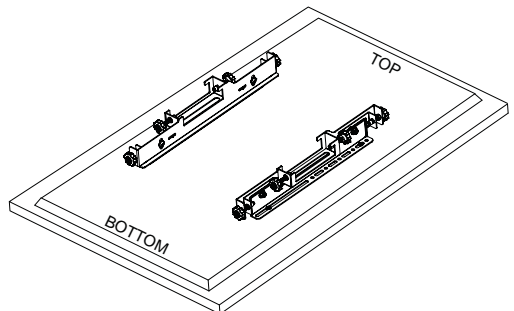
1. The strength of the floor.
2. Exposure to sudden and severe wind.
3. Danger arising from contact with people and / or objects. (eg installations in passageways, emergency exits).

SCREEN MOUNTING POSITION

Landscape / Horizontal Display



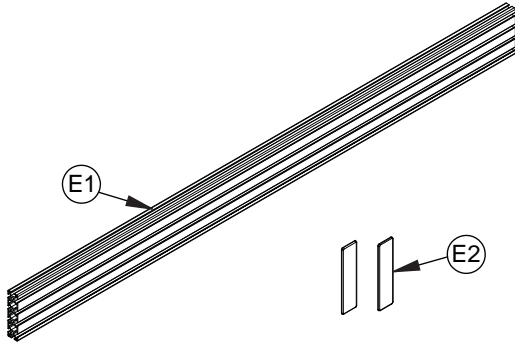
Portrait / Vertical Display



BT8371-2X2 PARTS LIST

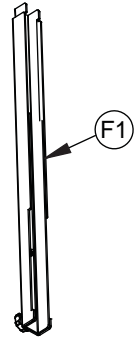
(E) MOUNTING RAIL

BT8390-200 (x2)



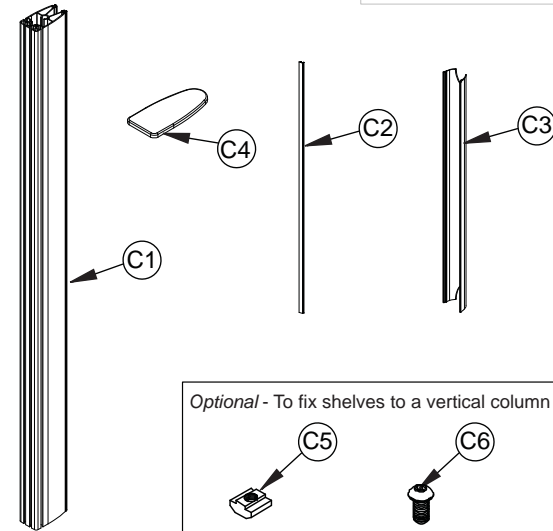
(F) SPACER

BT8390-SP (x1)



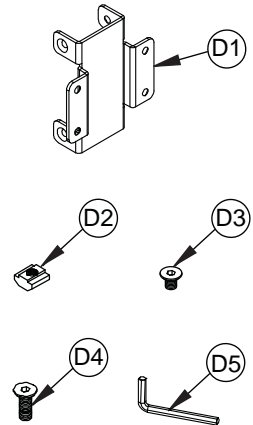
(C) COLUMN

BT8380-180 (x2)



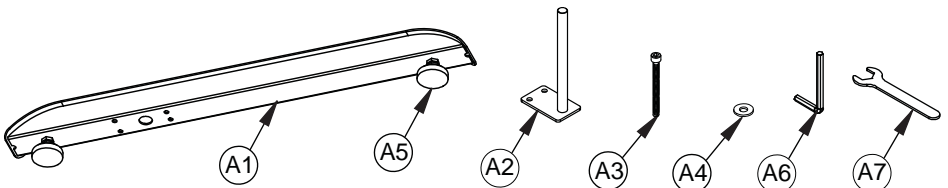
(D) JOINING PLATE

BT8380-JPK (x4)



(A) BASE

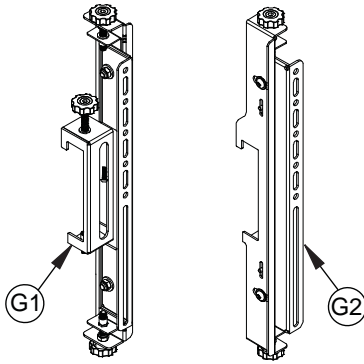
BT8380-BASE (x2)



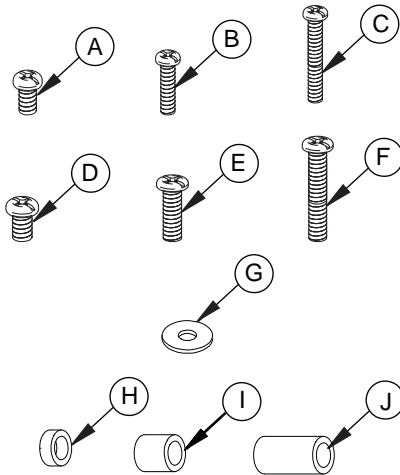
G

INTERFACE ARMS

BT8390-VESA400MAF (x4)



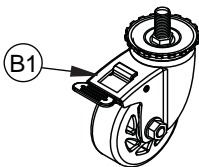
SCREEN FIXING KIT



B

CASTORS

BT8380-CASTORS (x2)



BASE		
REF	PART NAME	TOTAL QTY
A1	BASE	2
A2	SUPPORT STEM	2
A3	M8 x 90mm SCREW	8
A4	M8 WASHER	4
A5	LEVELLING FOOT	4
A6	6AF HEX KEY	2
A7	24mm SPANNER	2
CASTORS		
REF	PART NAME	TOTAL QTY
B1	CASTOR	4
COLUMN		
REF	PART NAME	TOTAL QTY
C1	VERTICAL COLUMN	2
C2	PLASTIC SLOT INSERT	8
C3	CABLE COVER	6
C4	END CAP	2
C5	M8 SLIDING NUT	4
C6	M8 x 16mm SCREW	4
JOINING KIT		
REF	PART NAME	TOTAL QTY
D1	JOINING PLATE	4
D2	M8 SLIDING NUT	32
D3	M8 x 12mm SCREW	16
D4	M8 x 16mm SCREW	16
D5	5AF HEX KEY	4
MOUNTING RAIL		
REF	PART NAME	TOTAL QTY
E1	MOUNTING RAIL	2
E2	END CAP	4
SPACER		
REF	PART NAME	TOTAL QTY
F1	SPACER	1
INTERFACE KIT		
REF	PART NAME	TOTAL QTY
G1	INTERFACE ARM - RIGHT	4
G2	INTERFACE ARM - LEFT	4
REF	SCREEN FIXING KIT	TOTAL QTY
A	M6 x 16mm SCREW	16
B	M6 x 25mm SCREW	16
C	M6 x 40mm SCREW	16
D	M8 x 16mm SCREW	16
E	M8 x 25mm SCREW	16
F	M8 x 40mm SCREW	16
G	M6 WASHER	16
H	5mm SPACER	16
I	13mm SPACER	16
J	24mm SPACER	16

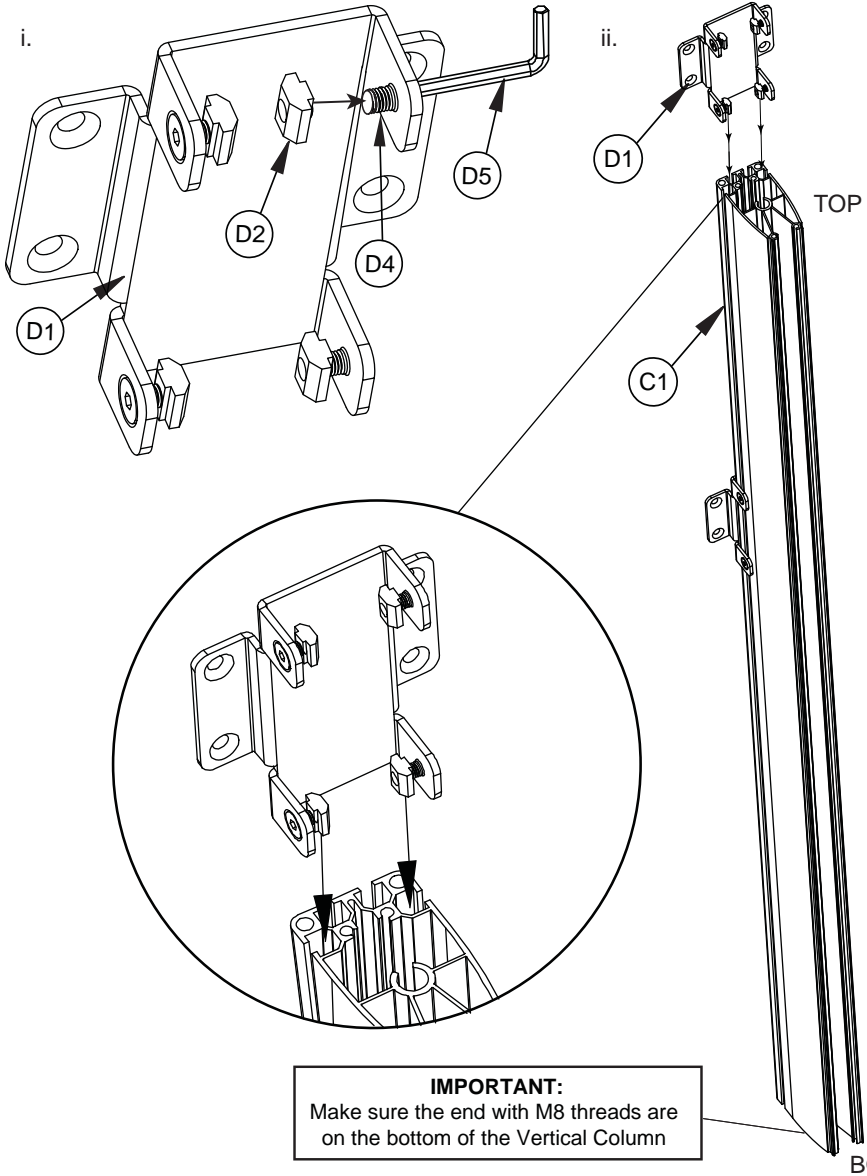
PLEASE KEEP THIS FOR FUTURE REFERENCE

INSTALLATION INSTRUCTIONS

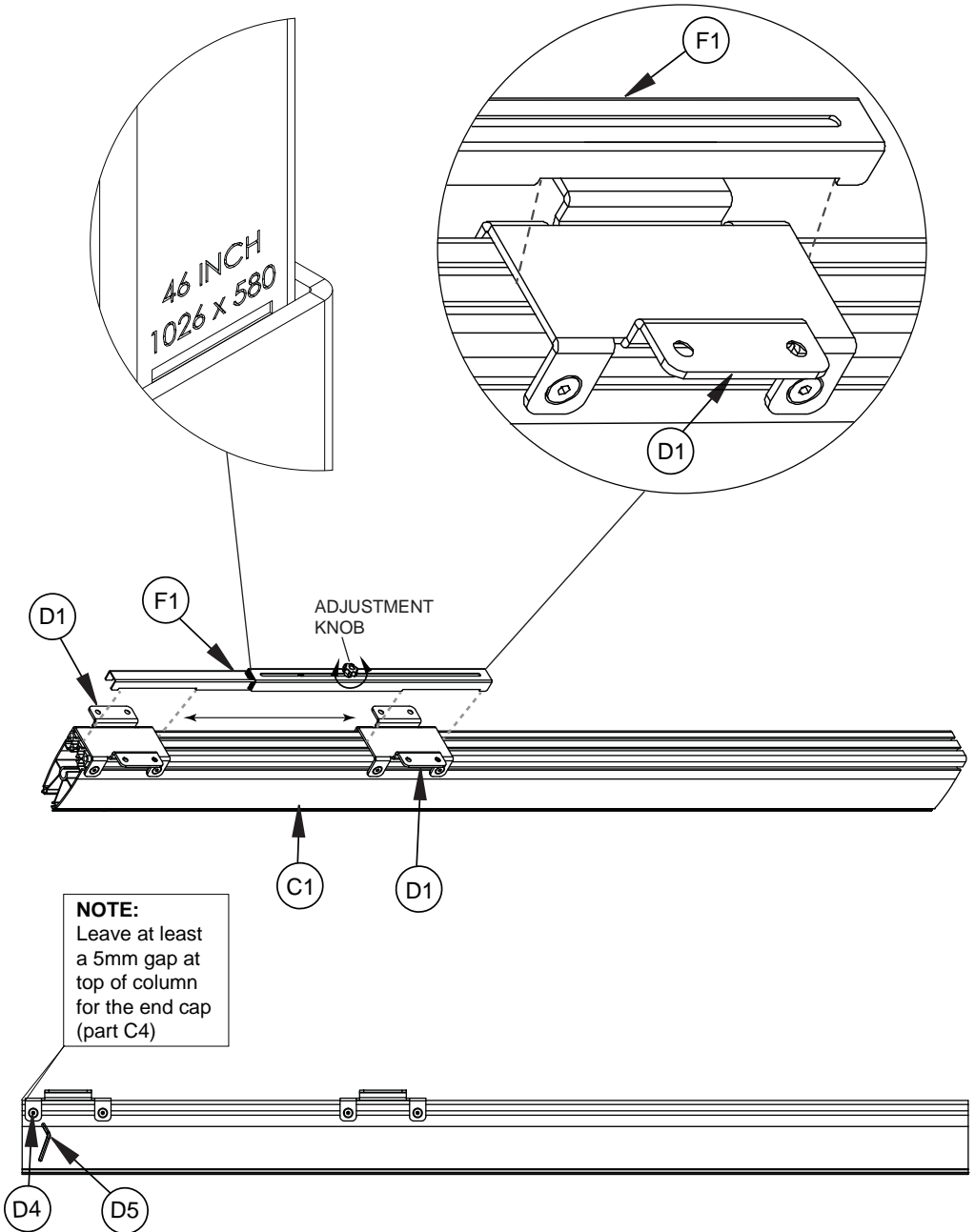
1

Attach Joining Plate to Column

- i. Connect together four M8 x 16mm screws (part D4) with M8 sliding nuts (part D2) on each joining plate (part D1).
- ii. Lay column (part C1) on the floor and slide two joining plates (part D1) onto each column.



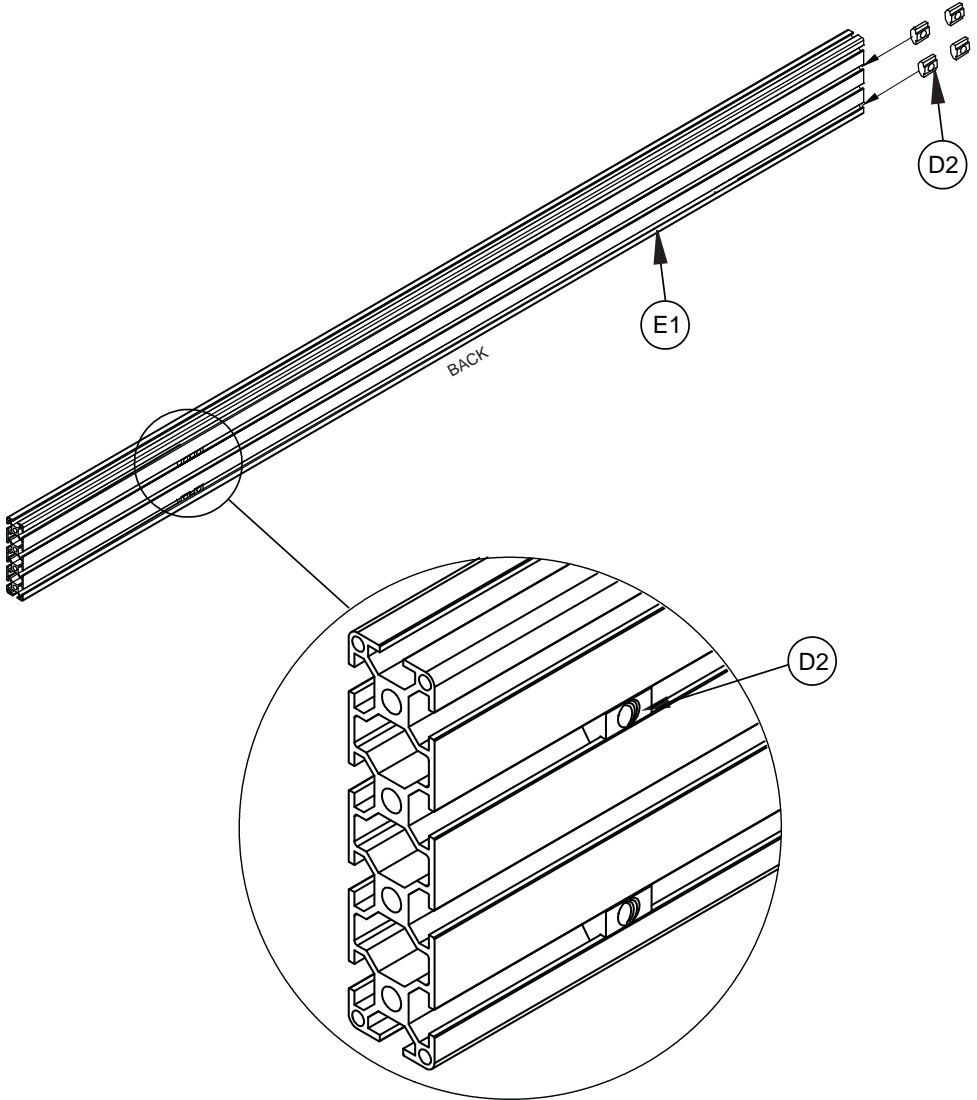
iii. Use the spacer (part F1) to set distance between the 2 joining plates (part D1) on the column (part C1) according to the screen size. Once set, tighten all M8 x 16mm screws (part D4) on the joining plate with hex key (part D5).



2

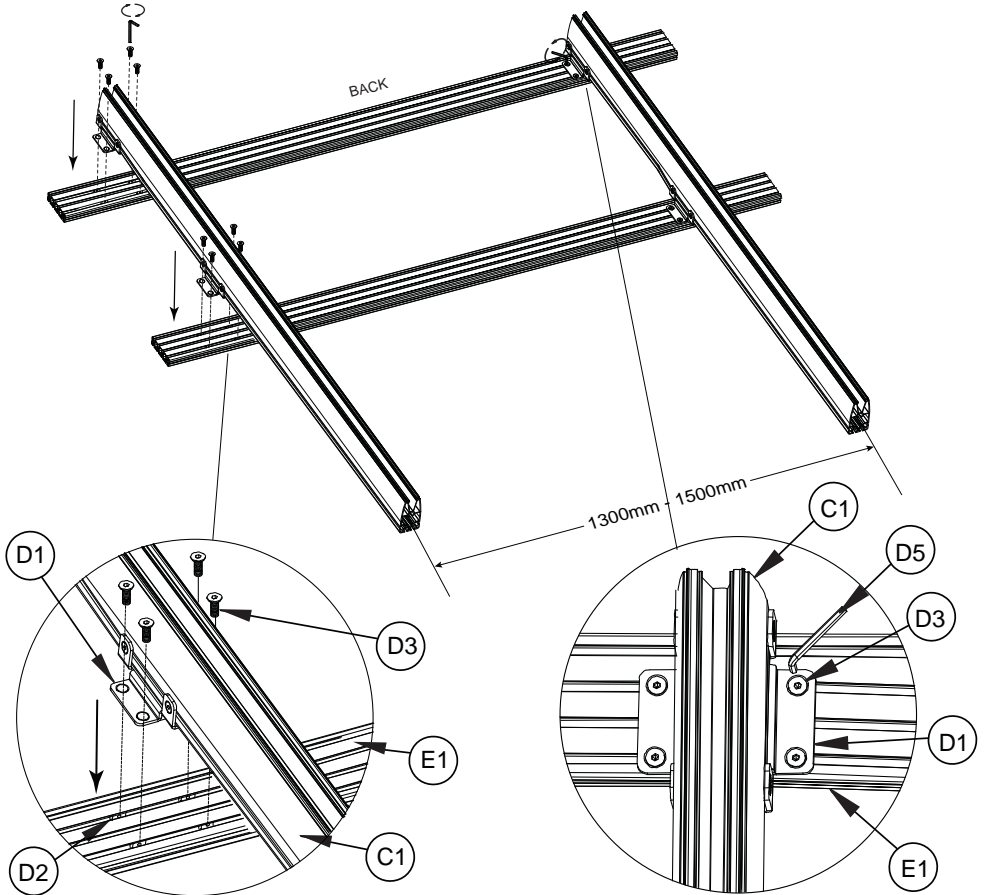
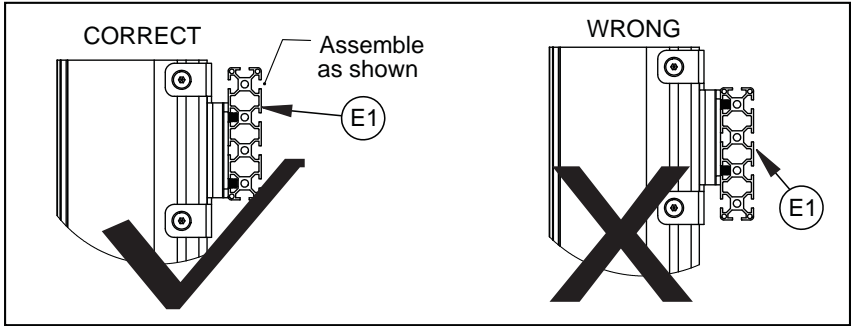
Attach Mounting Rail to Column

- i. Lay mounting rail (part E1) on the floor and insert 4 x M8 sliding nuts (part D2) into either end of the mounting rail - Two in the bottom slot, two in the second from top slot.



ii. On the floor, lay the columns (part C1) on the mounting rails (part E1) so the joining plates (part D1) are face down. Attach the mounting rails (part E1) to the columns using the joining plates, fastening M8 x 12mm screws (part D3) into the inserted M8 sliding nuts (part D2).

Note: The distance between the two vertical columns should be approx. 1300mm - 1500mm

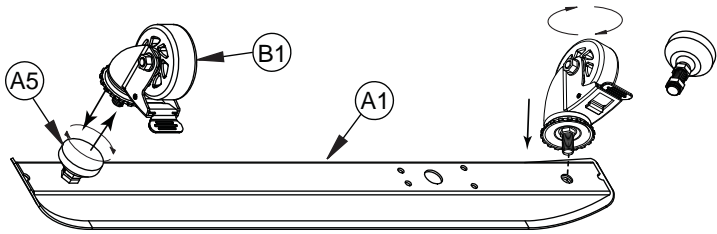


3

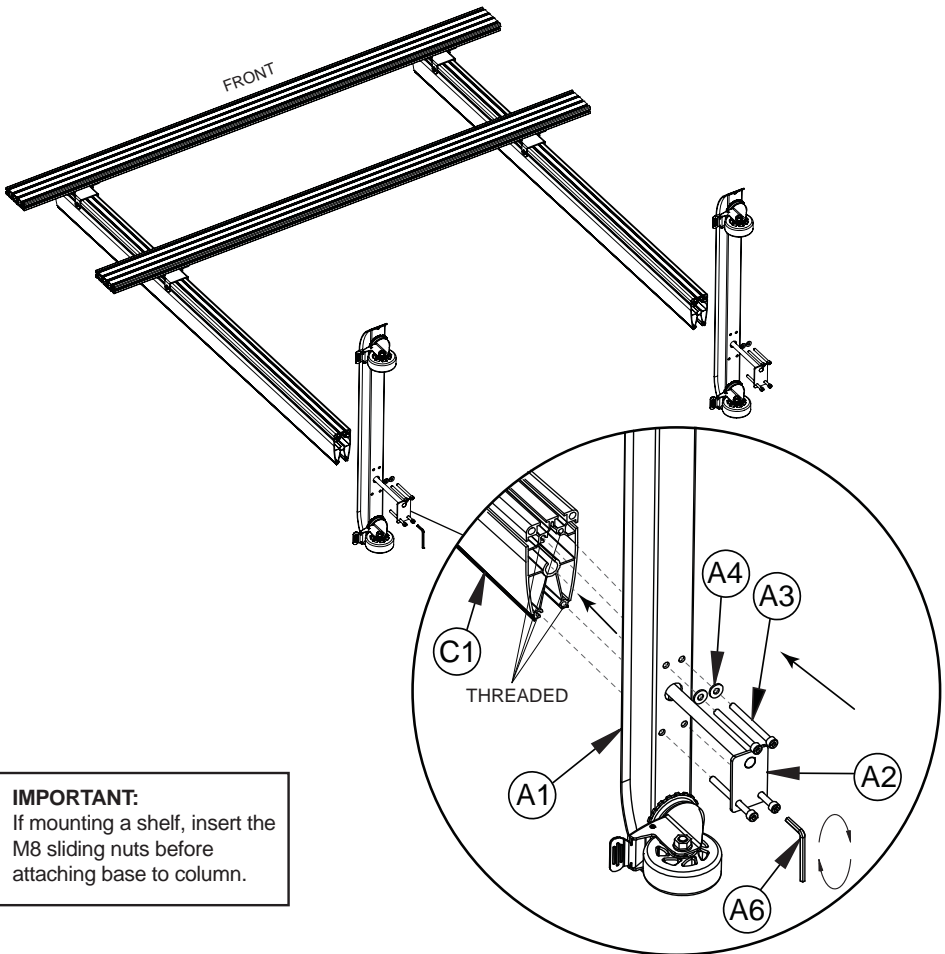
Assemble Bases to Columns

- i. If required, unscrew the levelling feet (part A5) on the base (part A1) and replace with the castors (part B1) before attaching the base to the columns.

NOTE:
Ensure castors are set on the braked position for assembly.



- ii. On the floor and attach the bases (part A1) to the columns (part C1) using the support stems (part A2), M8 x 90mm screws (part A3) and washers (part A4). Once bases are fixed, return stand to upright position.

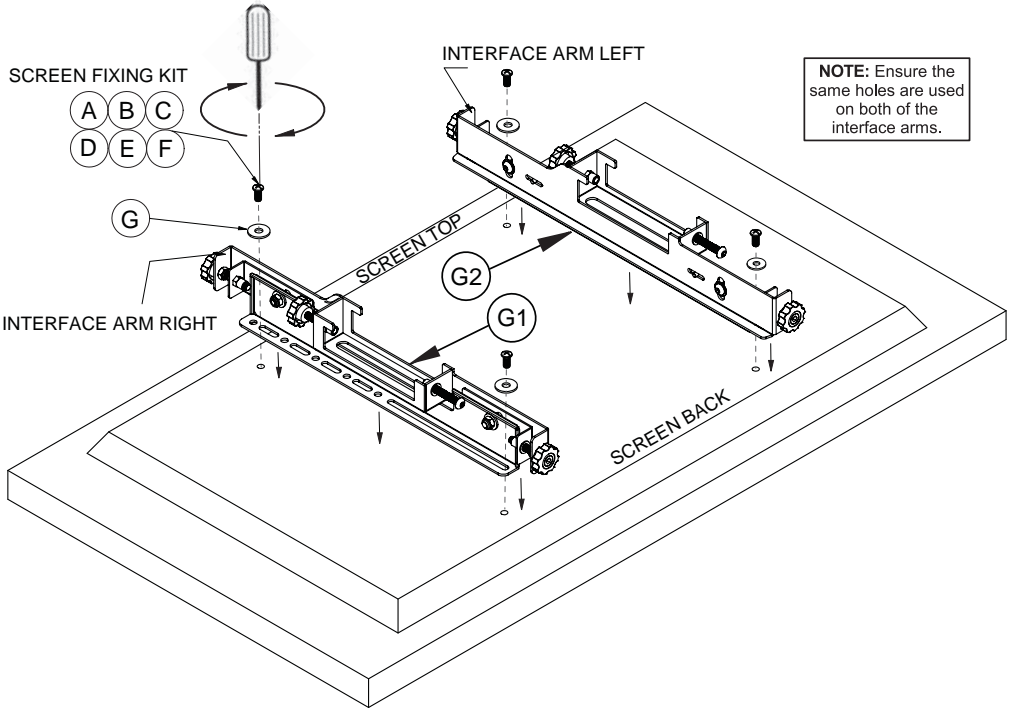


IMPORTANT:
If mounting a shelf, insert the M8 sliding nuts before attaching base to column.

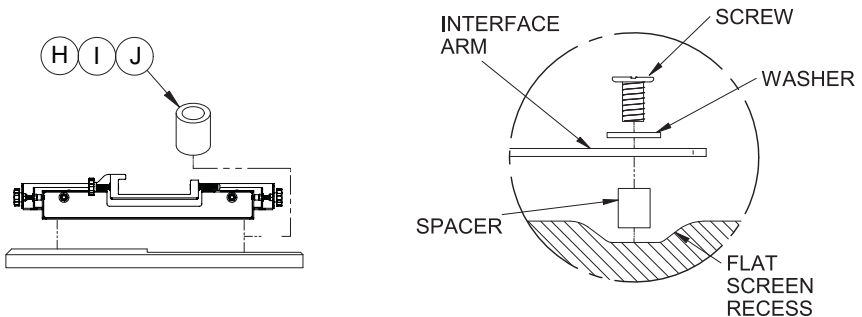
4

Attach Interface Arms to Screen

Attach the interface arms (parts G1 and G2) to the back of the screen using the screen fixing kit (parts A-F).



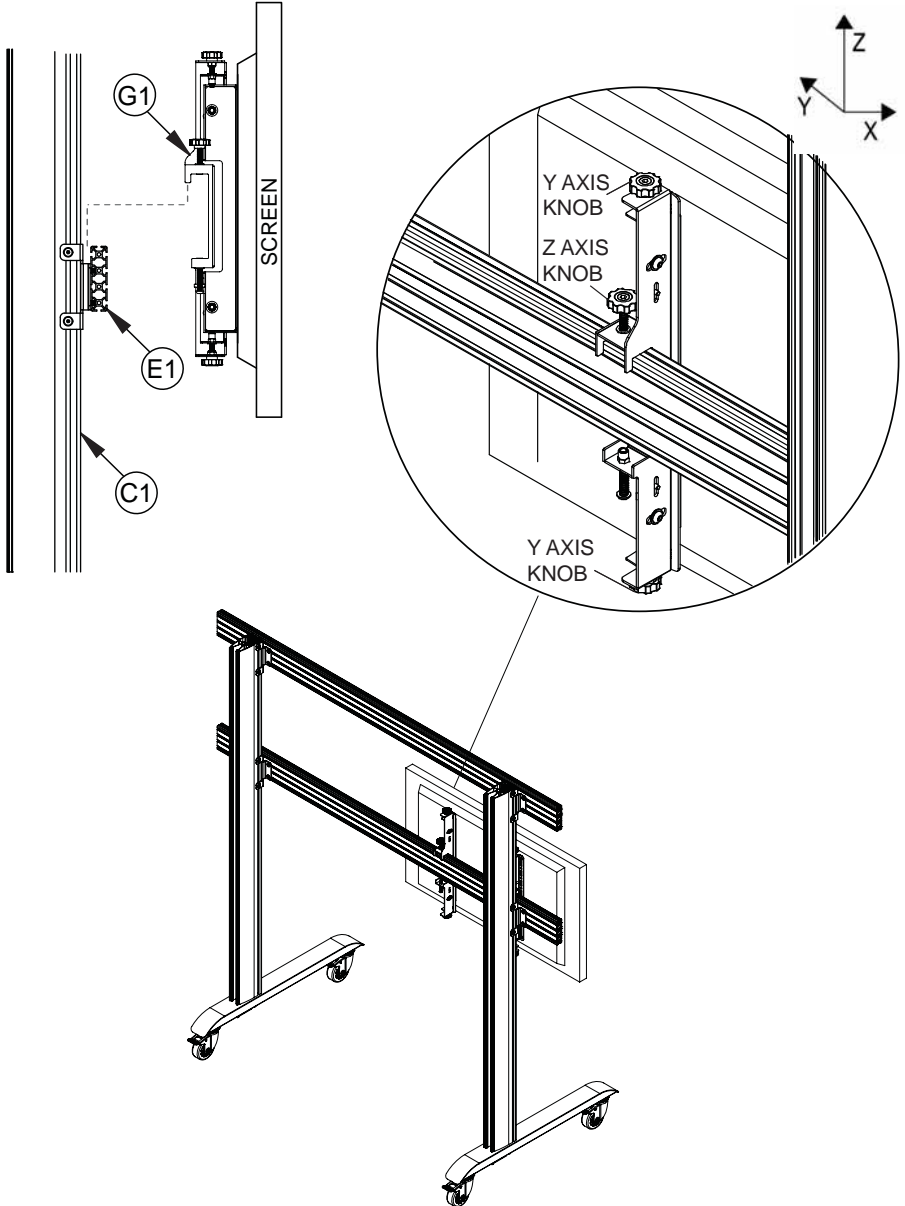
Use spacers for screens with recessed fixings

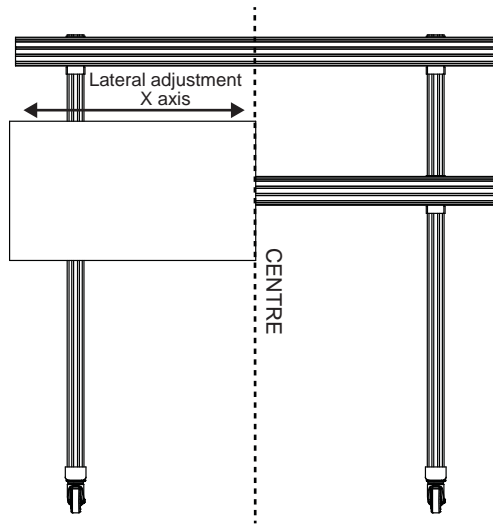


5

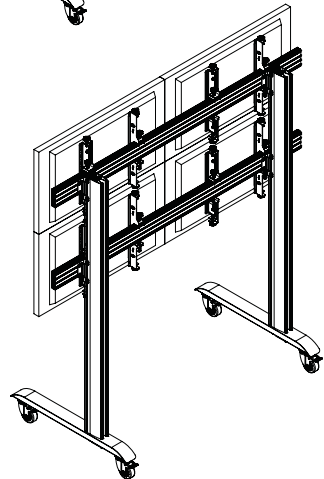
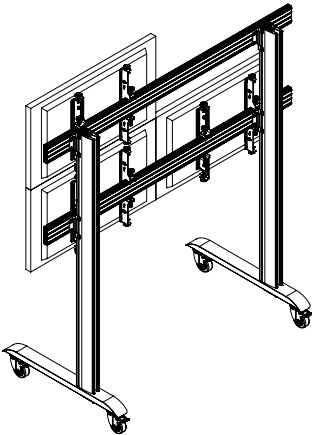
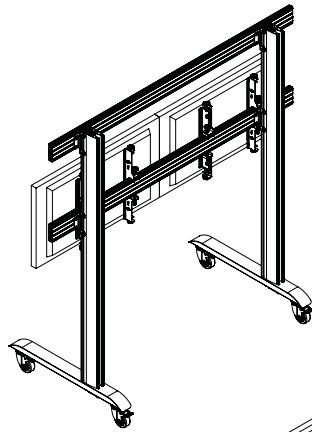
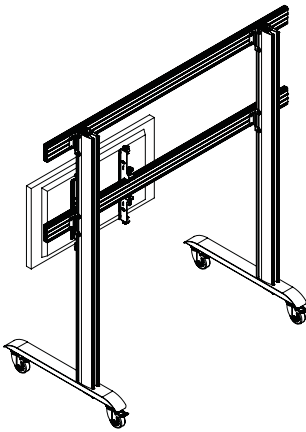
Hook the Screens onto the Stand

- i. Hook the first screen onto bottom left of the stand and make sure the right side of the screen is aligned with the centre of the mounting rail (part E1)
- ii. Using a level, align the flat screen to the floor using the Z axis adjustment knobs.
- iii. Use the Y axis knobs to ensure flat screen is perpendicular with the floor.





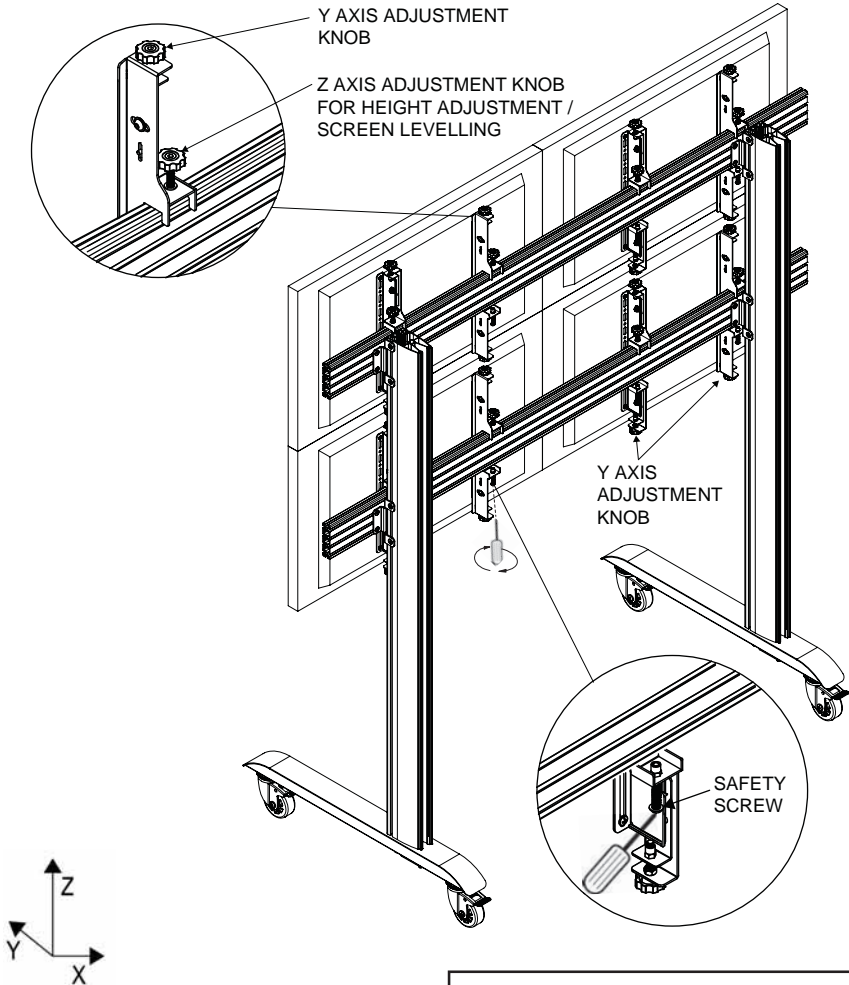
iv. Hook on the remaining flat screens.



6

Align and Secure Screens

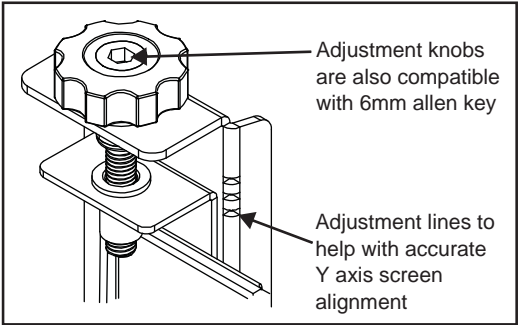
- i. Use the Y & Z micro-adjustment knobs on interface arms to align screens.
- ii. When the screens are all positioned correctly, tighten the safety screws on the bottom of the interface arms (parts G1 & G2) to secure in position.



Total Z axis adjustment is 13mm

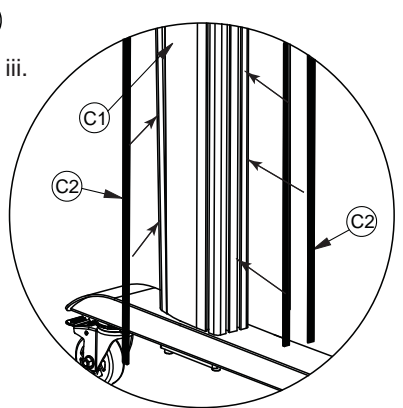
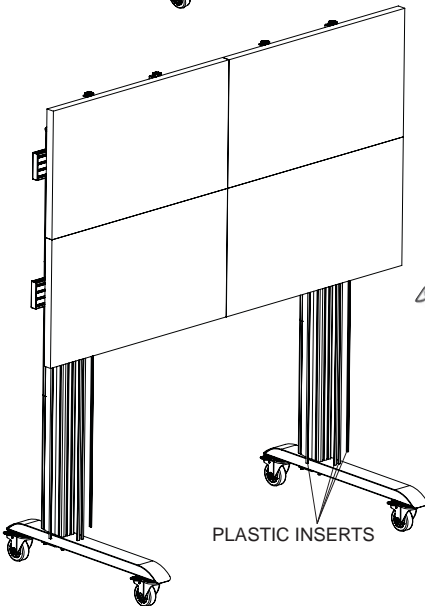
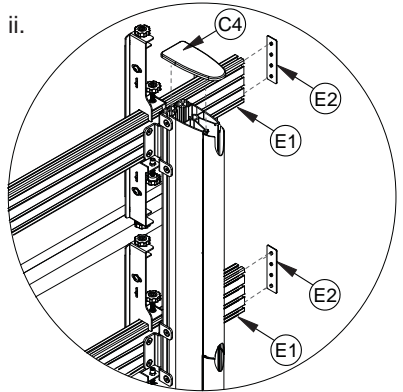
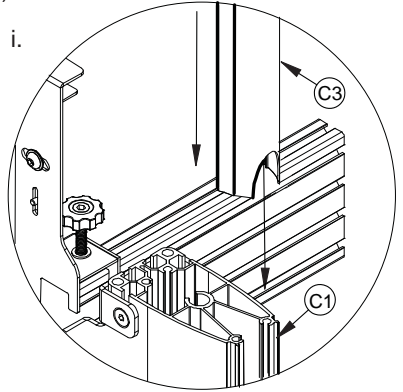
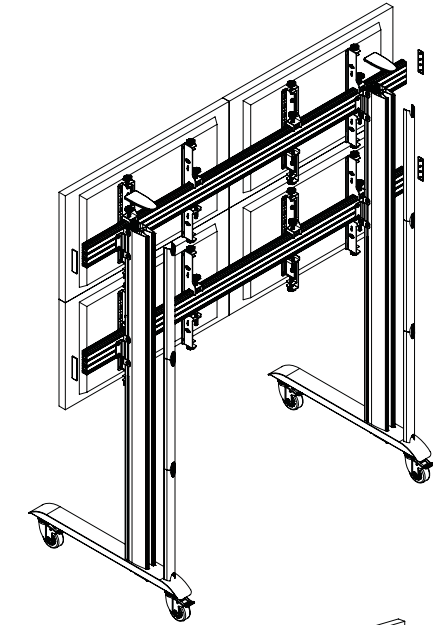
Total Y axis adjustment is 20mm

NOTE: Light pressure in the desired direction of travel will assist in the adjustment of knobs when using heavier screens



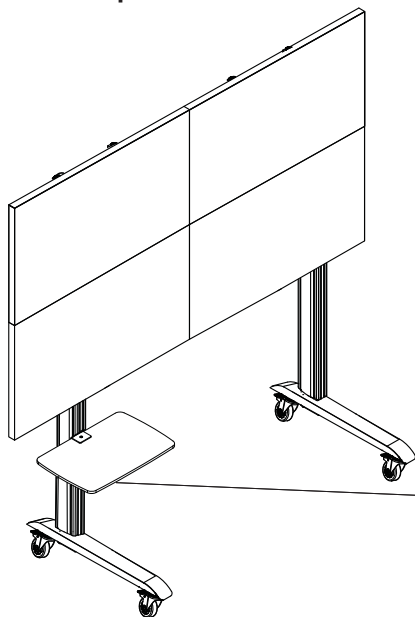
Add End Caps and Cable Management Covers

- i. After screen cables are connected, slide the cable management covers (part C3) down the rear of columns (part C1).
- ii. Fit end caps (parts C4 & E2) to the columns and mounting rails (parts C1 & E1).
- iii. With a knife, cut to length the plastic slot inserts (part C2) and insert to the front and sides of the columns (part C1).



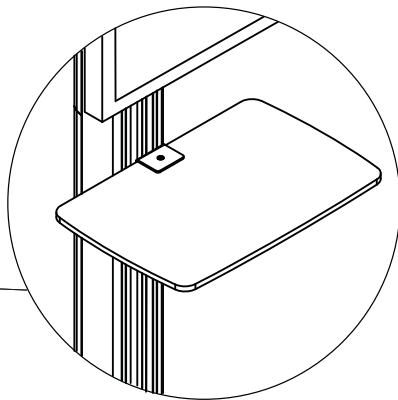
OPTIONAL ACCESSORIES

AV Component Shelves

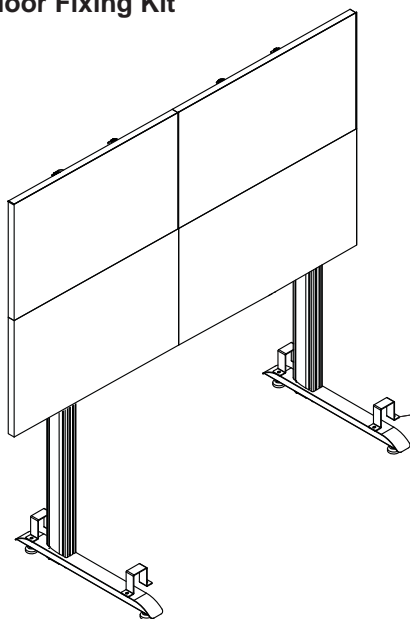


Insert 2 x M8 sliding nuts (parts C5) into the vertical column (part C1) front slots before attaching the base to stand.

Mount a B-Tech Shelf (BT7032 / BT7172 / BT7173) by fastening the M8 x 16mm screws (part C6) to the M8 sliding nuts.

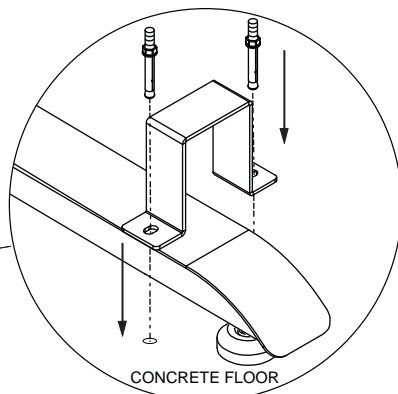


Floor Fixing Kit



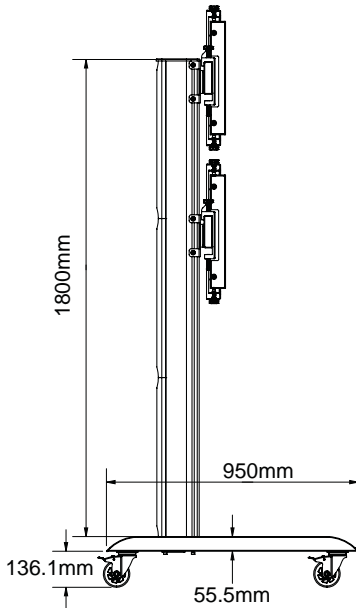
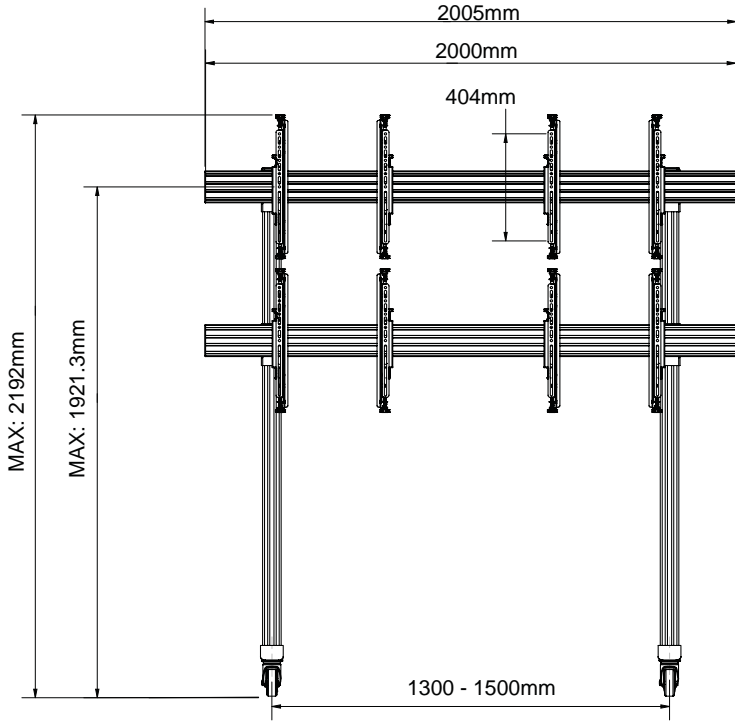
BT8380-FBK (x2)

Using suitable fixings and floor anchors, attach a floor fixing bracket to the front and back of both bases (part A1).



NOTE: The Floor Fixing Kit cannot be used when Castors are attached to the base

BT8371-2X2 PRODUCT DIMENSIONS



THESE INSTRUCTIONS ARE INTENDED AS A GUIDE ONLY AND B-TECH ACCEPTS NO LIABILITY FOR THE ACCURACY OF THE INFORMATION CONTAINED IN THIS DOCUMENT.



www.btechavmounts.com

B-TECH AUDIO VIDEO MOUNTS

HEAD OFFICE

B-Tech International Limited

Bennett House, Long March, Daventry, Northants., NN11 4NR, UK

Email: info@btechavmounts.com

©2015 B-Tech International Limited. All rights reserved.

B-Tech Audio Video Mounts is a division of B-Tech International Limited.

B-Tech, Better By Design & System X are registered trademarks of B-Tech International Limited.

All other brands and product names are trademarks of their respective owners.

Photographs are for illustrative purposes only. E&OE.

AMA-BT8371-2x2-V1-0915-BTECH